



RENEW
FURNITURE



RENEW

About us

Every chair is a work of art,
and every space is an expression of an individual.
Step into the world of Renew Furniture,
where the artistry of seating meets the scientific elegance.

Born from a legacy of craftsmanship, our journey began years ago,
guided by the wisdom of our predecessors and fuelled by a passion for redefining the ordinary.

Renew Furniture is not just a name, it's a celebration of design innovation and a commitment to
crafting chairs that transcend trends.

Rooted in tradition but attuned to the pulse of modern aesthetics,
our pieces are a harmonious blend of classic charm and contemporary allure.

We extend our deepest gratitude to our discerning clientele.
Your trust in Renew Furniture has propelled our creative journey,
inspiring us to redefine the very essence of comfort and style.

Each chair in our collection is a masterpiece
where luxury effortlessly meets legacy!

RENEW
FURNITURE



ZEUS-H

brown leather
high back

ZEUS-H

stand: 360mm polished aluminium base.

castor: 60mm PU castor wheels.

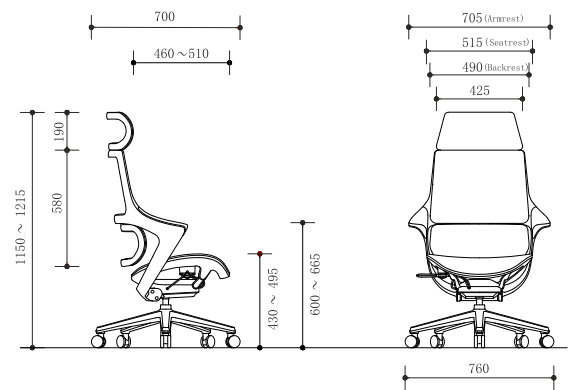
gas lift: class 4 gas lift.

mechanism: 4 position multi functional mechanism.

seat & back frame: black PP + GF frame, aluminium backrest.

seat foam: moulded foam seat.

arms: PU armpad.



RENEW

ZEUS-L

stand: 360mm polished aluminium base.

castor: 60mm PU castor wheels.

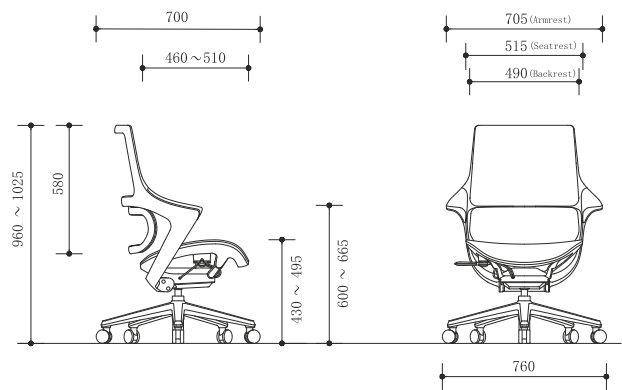
gas lift: class 4 gas lift.

mechanism: 4 position multi-functional mechanism.

seat & back frame: black PP + GF frame, aluminium backrest.

seat foam: moulded foam seat.

arms: PU armpad.





ZEUS-L

brown leather
low back

MARILYN MONROE

LOOKBOOK

RENEW

ECHO-H

stand: aluminium base.

castor: 50mm PU mute castor.

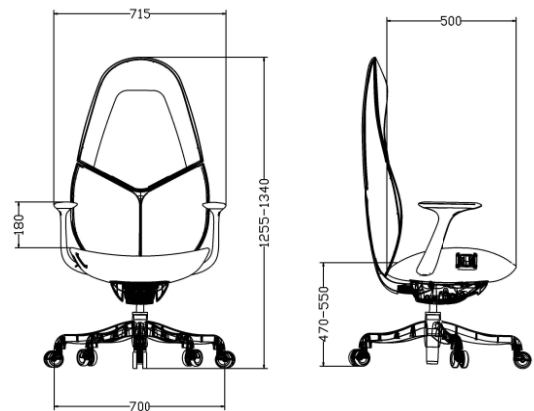
gas lift: class 4 gas lift.

mechanism: 3 position wire controlled synchronised mechanism.

seat & back frame: one piece headrest fits the cervical spine, modular production and assembly.

seat & back foam: moulded foam with PP inside.

arms: aluminium arms.



ECHO-H

black, brown
high back



ARES-H

stand: 350mm polished aluminium base.

castor: 60mm PU castor.

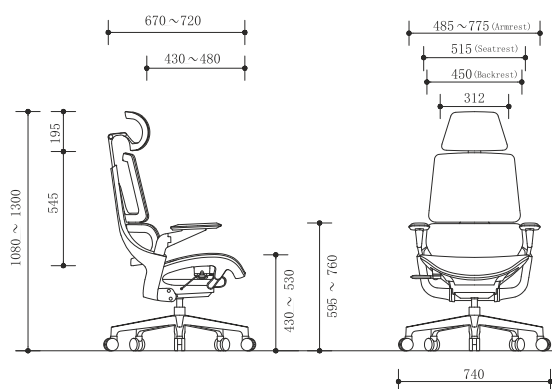
gas lift: class 4 gas lift.

mechanism: 4 position multi-functional & seat sliding mechanism.

seat & back frame: black PP+GF frame with height adjustable backrest.

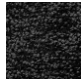
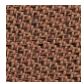
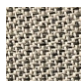
seat foam: moulded foam.

arms: 6D polished aluminium armrest.





ARES-H

-  grey
-  orange
-  white

RENEW

ARES-L

stand: 350mm polished aluminium base.

castor: 60mm PU castor.

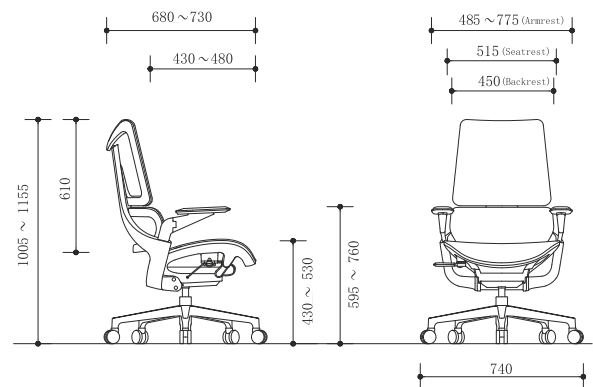
gas lift: class 4 gas lift.

mechanism: 4 position multi-functional & seat sliding mechanism.

seat & back frame: black PP+GF frame with height adjustable backrest.


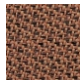
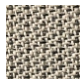
seat foam: moulded foam.

arms: 6D polished aluminium armrest.





ARES-L

-  grey
-  orange
-  white

KRATOS-H

stand: 340mm aluminium alloy.

castor: 60mm PU castor.

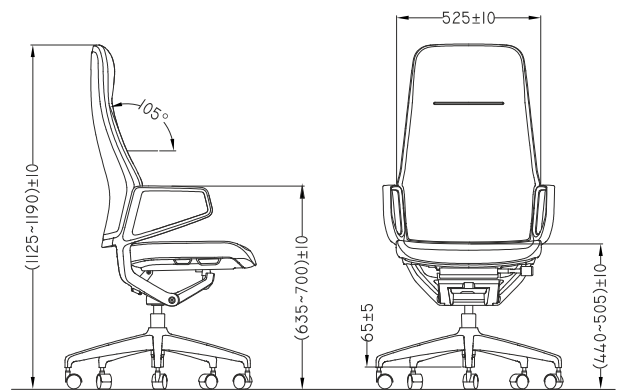
gas lift: class 4 gas lift.

mechanism: germany bock mechanism with 3 position locking, seat slider, tension control, height adjustment and aluminium back and seat linking component.

seat & back frame: PA + GF 20%.

seat & back foam: moulded foam.

arms: fixed aluminium armrest.





KRATOS-H

-  warm grey
-  brown
-  black

KRATOS-L

stand: 340mm aluminium alloy.

castor: 60mm PU castor.

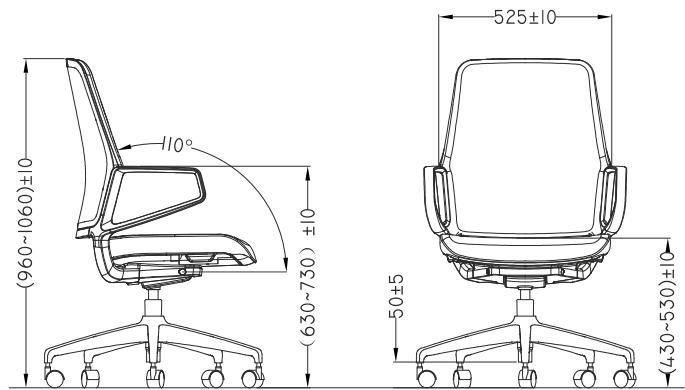
gas lift: class 4 gas lift.

mechanism: germany bock mechanism with 3 position locking, seat slider, tension control, height adjustment and aluminium back with seat linking component.

seat & back frame: PA + GF 20%.

seat & back foam: moulded foam.

arms: fixed aluminium armrest.



KRATOS-L



KRATOS-S

stand: 340mm aluminium base.

castor: 60mm PU castor.

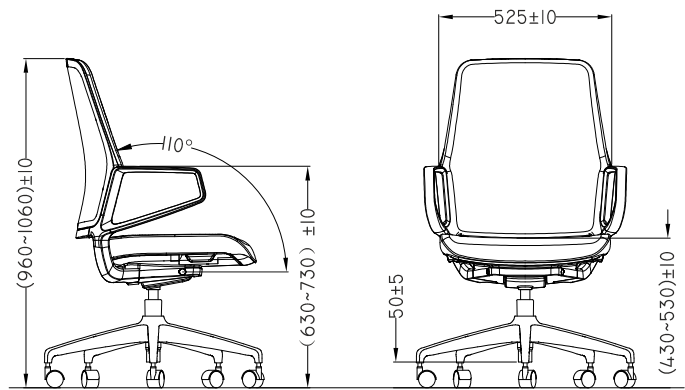
gas lift: class 4 gas lift.

mechanism: wire control with 1 position locking and aluminium back with seat linking component.

seat & back frame: PA + GF 20%.

seat & back foam: moulded foam.

arms: fixed aluminium armrest.



KRATOS-S



HECTOR

stand: 360mm Aluminium base

castor: 60mm PU Castor.

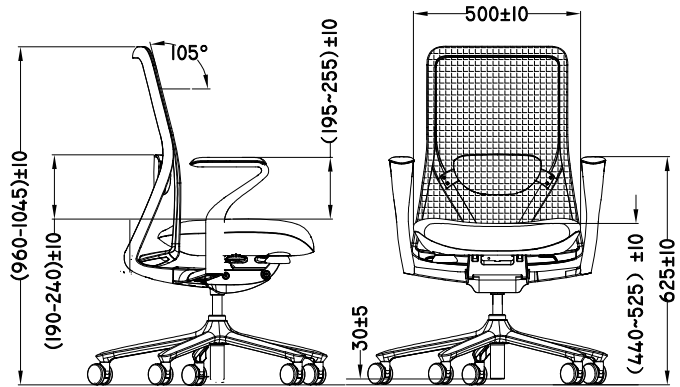
gas lift: class 4 gas lift.

mechanism: germany bock 3 position locking with tension adjustment, seat sliding and height adjustment.

seat & back frame: PA + 30% GF & PA + 35% GF.

seat & back foam: PP + 30% GF and moulded foam.

arms: PU inner board and PA + 30% GF.



HECTOR





EOS-H

stand: aluminium base.

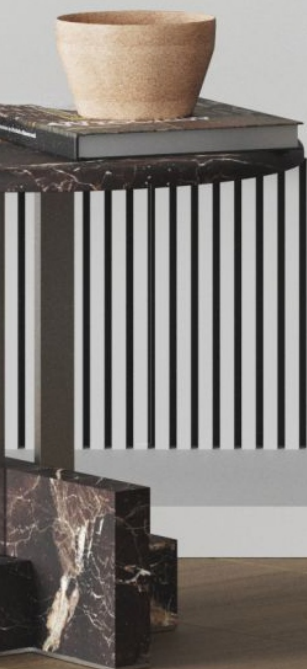
castor: 50mm PU mute castor.

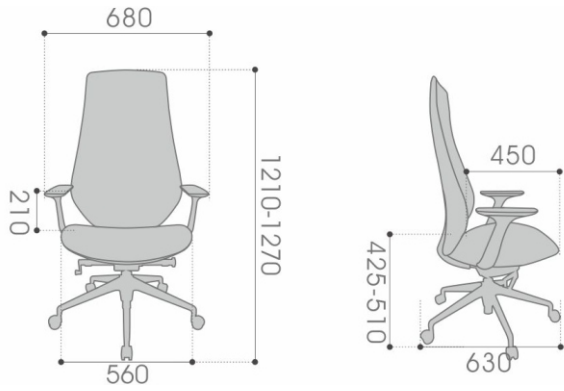
gas lift: class 4 gas lift.

mechanism: 3-position locking synchronous mechanism with lean forward function.

seat & back foam: moulded foam.

arms: aluminium arms.





EOS-H

- beige
- grey
- blue

RENEW

EOS-L

stand: aluminium base.

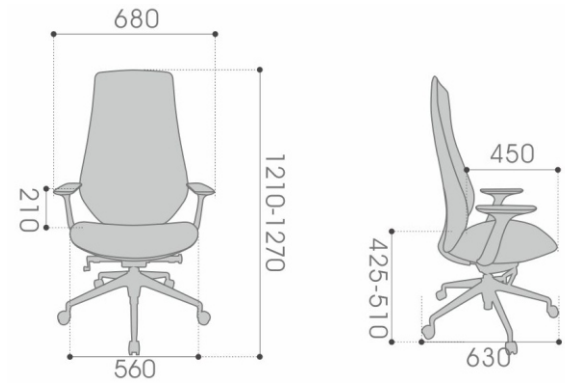
castor: 50mm PU mute castor.

gas lift: class 4 gas lift.

mechanism: 3-position locking synchronous mechanism with lean forward function.

seat & back foam: moulded foam.

arms: aluminium arms.



EOS-L









CLIO

stand: 340mm aluminium alloy.

castor: 60mm PU castor.

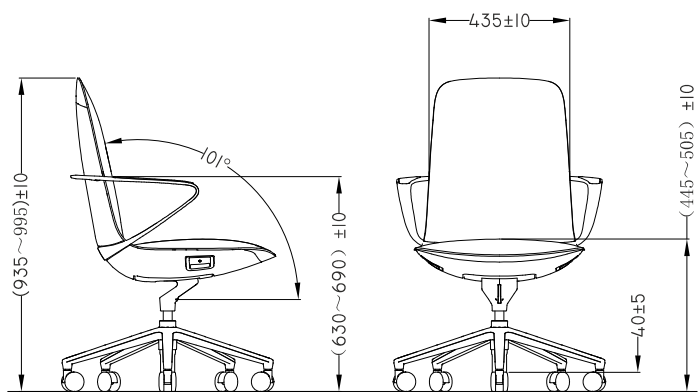
gas lift: class 4 gas lift.

mechanism: wire control multi functional mechanism.

seat & back frame: PP 35% and PP28%.

seat & back foam: PP +30% GF moulded foam.

arms: aluminium alloy arms.



CLIO



black



brown



warm grey

VULCAN-H

stand: 350mm aluminium alloy.

castor: 60mm PU castor.

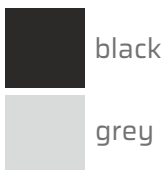
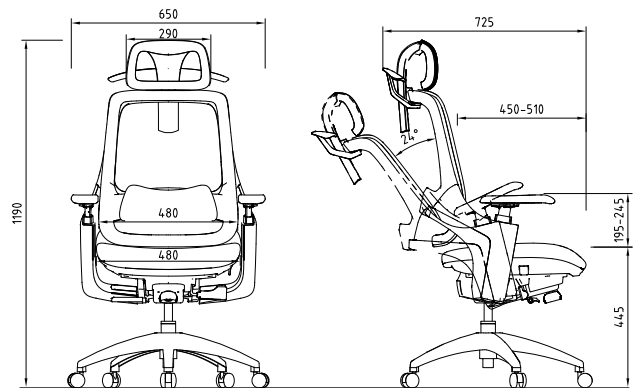
gas lift: class 4 gas lift.

mechanism: 3 tilting and locking position, tension adjustable, height adjustable.

seat & back frame: PP shell with plastic cover for under, outer and inner frame, with metal tube inside.

seat foam: injection foam seat.

arms: 3D armrest with PU pad.



VULCAN-L

stand: 350mm aluminium alloy.

castor: 60mm PU castor.

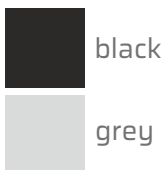
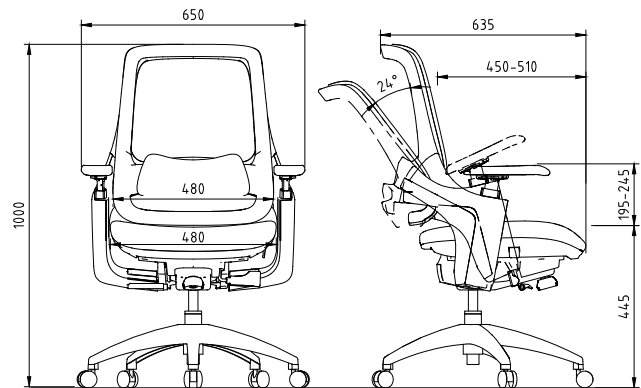
gas lift: class 4 gas lift.

mechanism: 3 tilting and locking position, tension adjustable, height adjustable.

seat & back frame: PP shell with plastic cover for under, outer and inner frame, with metal tube inside.

seat foam: injection foam seat.

arms: 3D armrest with PU pad.



A high-tech office chair is shown in profile, facing right. The chair's backrest is the central focus, featuring a complex, glowing circuit board pattern in shades of grey and white. The rest of the chair, including the seat, armrests, and base, is dark and sleek. The chair is set against a dark, atmospheric background of jagged mountain peaks under a twilight sky. The overall mood is futuristic and sophisticated.

APOLLO-H

RENEW

APOLLO-H

stand: 350mm polished aluminium base.

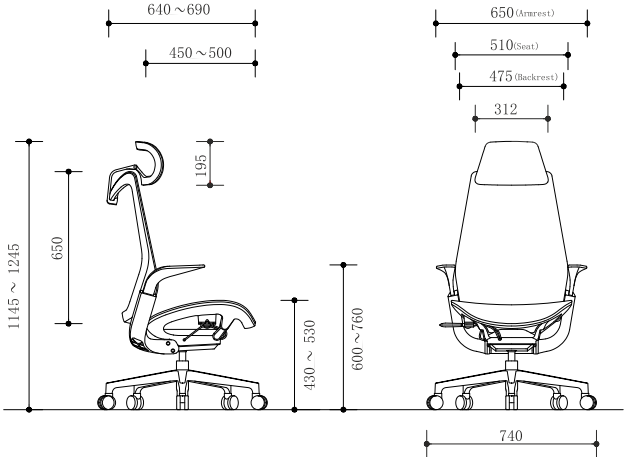
castor: PU castor.

gas lift: class 4 gas lift.

mechanism: 4 position multi-functional with seat sliding mechanism.

seat & back frame: black PP + GF frame.

arms: 6D polished aluminium armrest.



APOLLO-L

stand: 350mm polished aluminium base.

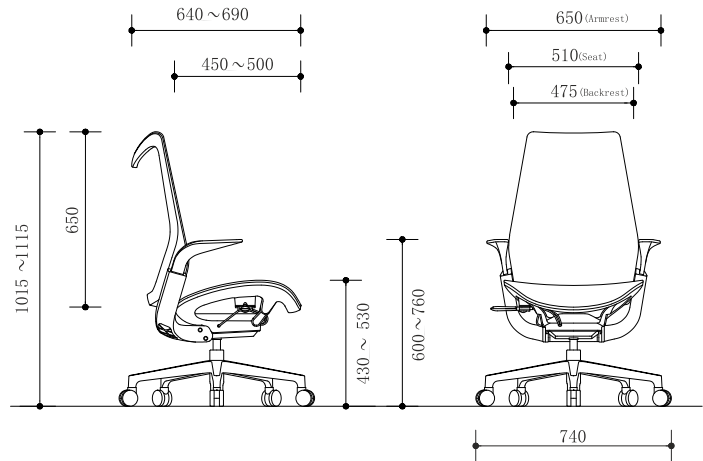
castor: PU castor.

gas lift: class 4 gas lift.

mechanism: 4 position multi-functional with seat sliding mechanism.

seat & back frame: black PP + GF frame.

arms: 6D polished aluminium armrest.



APOLLO-L



light grey



dark grey

APOLLO-L



IRIS-H

stand: 330mm polished aluminium base.

castor: 60mm PU castor wheels

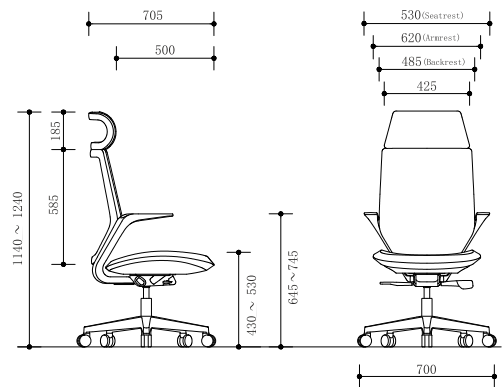
gas lift: class 3 Gas lift.

mechanism: 4 position multi-functional mechanism.

seat & back frame: black PP + GF frame.

seat foam: moulded foam seat.

arms: aluminium armrest with PU armpad.



IRIS-H



beige pu



brown pu



white fabric

IRIS-H



RENEW

IRIS-L

stand: 330mm polished aluminium base.

castor: 60mm PU castor wheels

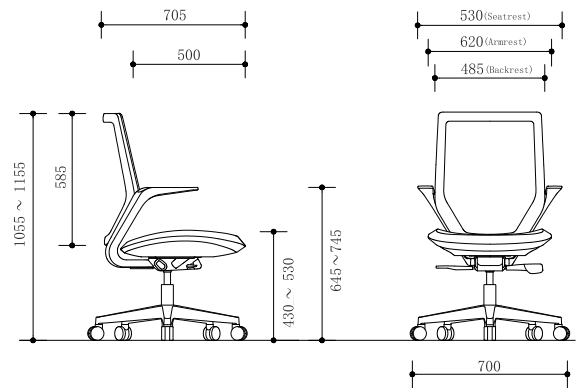
gas lift: class 3 gas lift.

mechanism: 4 position multi-functional mechanism.

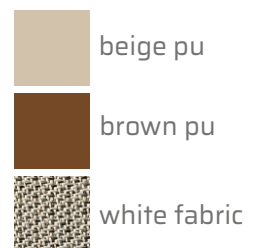
seat & back frame: black PP + GF frame.

seat foam: moulded foam seat.

arms: aluminium armrest with PU armpad.



IRIS-L





RENEW

DYNAMIC-H

stand: 340mm polished aluminium base.

castor: 60mm PU castor.

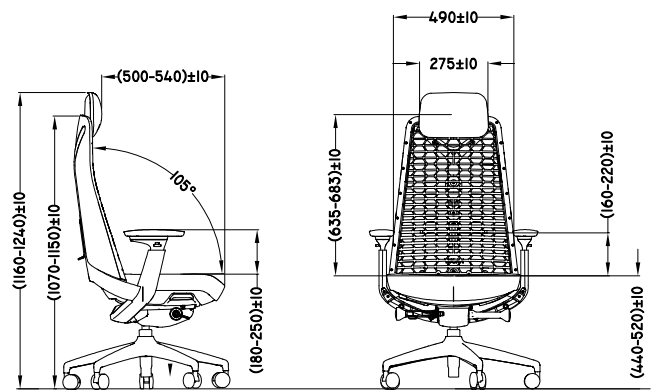
gas lift: class 4 gas lift.

mechanism: donati synchronised mechanism with 5 position locking adjustable tension and seat slider.

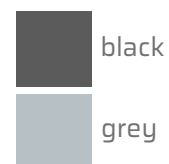
seat & back frame: PA 60% + GF 30%.

seat & back foam: moulded foam seat.

arms: 3D armrest with PU pad.



DYNAMIC-H





RENEW



RENEW

DYNAMIC-L

stand: 340mm polished aluminium base.

castor: 60mm PU castor.

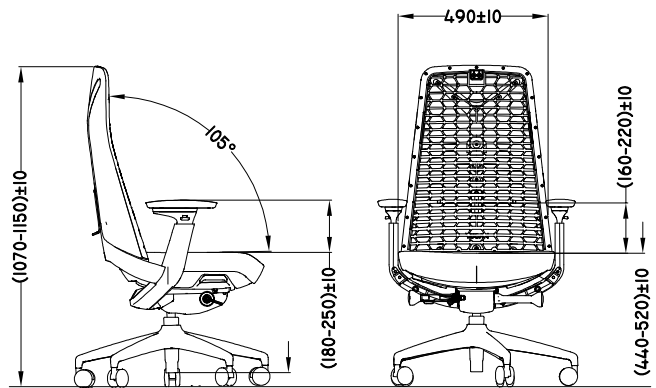
gas lift: class 4 gas lift.

mechanism: donati synchronised mechanism with 5 position locking adjustable tension and seat slider.

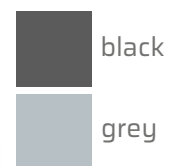
seat & back frame: PA 60% + GF 30%.

seat & back foam: moulded foam seat.

arms: 3D armrest with PU pad.



DYNAMIC-L



HESTIA-H

stand: 330mm polished aluminium base.

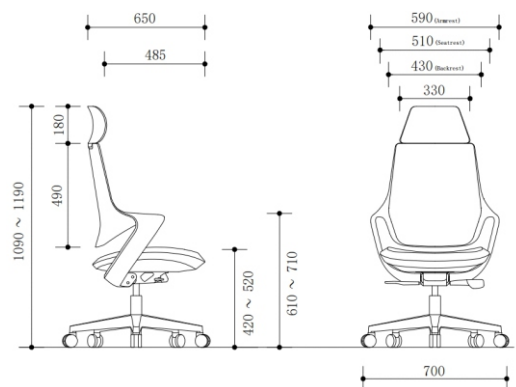
castor: 60mm PU castor.

gas lift: class 3 gas lift.

mechanism: 4 position multi-functional intelligent mechanism.

seat & back frame: white PP + GF frame.

seat & back foam: PU moulded foam.





HESTIA-H



black pu

RENEW

HESTIA-L

stand: 330mm polished aluminium base.

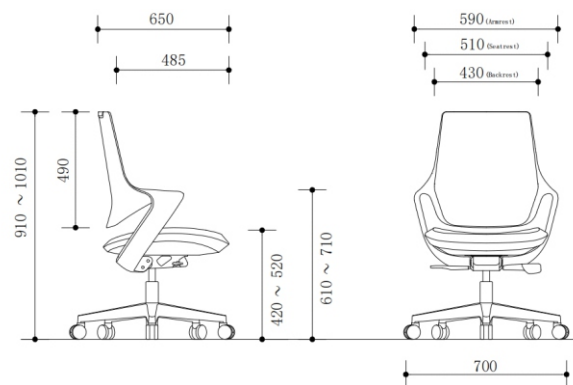
castor: 60mm PU castor.

gas lift: class 3 gas lift.

mechanism: 4 position multi-functional intelligent mechanism.

seat & back frame: white PP + GF frame.

seat & back foam: PU moulded foam.





HESTIA-L



black pu

RENEW

ATLAS



RENEW





RENEW

ATLAS

stand: 330mm polished aluminium base.

castor: 60mm PU castor wheels.

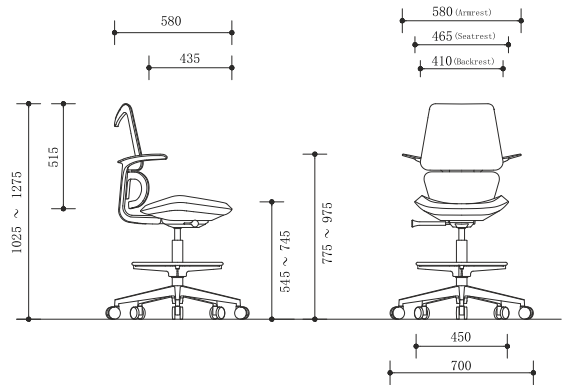
gas lift: class 3 gas lift.

mechanism: 2 position locking mechanism.

seat & back frame: white PP + GF frame with intelligent-sense backrest.

seat & back foam: moulded foam seat.

arms: integrated armrest.



ATLAS



orange



black

RENEW

ATHENA

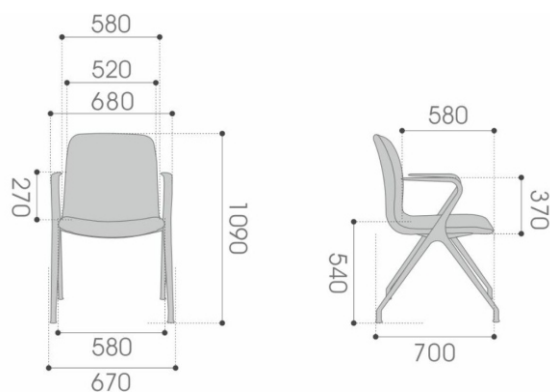
stand: aluminium base.

castor: 50mm PU castor.

seat & back frame: 1.5cm thick bend wood.

seat & back foam: moulded foam.

arms: aluminium arms.



ATHENA



grey



AION

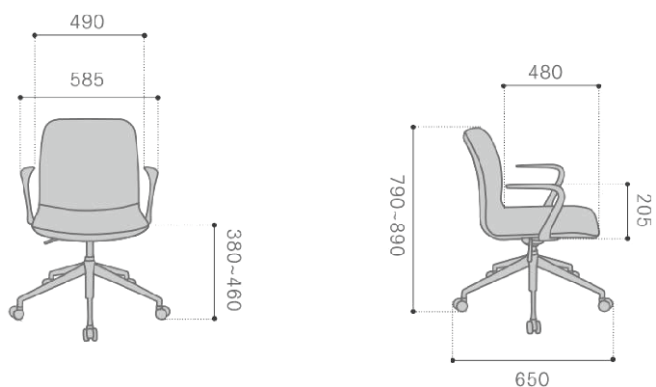
stand: aluminium base.

castor: 50mm PU castor.

seat & back frame: 1.5cm thick bend wood.

seat & back foam: moulded foam.

arms: aluminium armsrest.



AION



NET

stand: 330mm nylon base.

castor: 60mm PU castor.

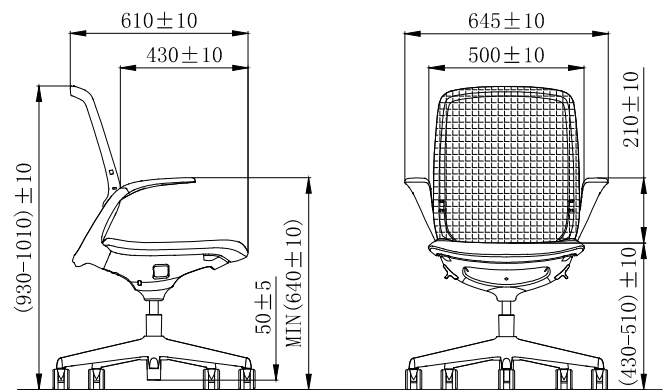
gas lift: class 3 gas lift.

mechanism: single lock self-developed mechanism with seat sliding function.

seat & back frame: black plastic + GF

seat & back foam: moulded PU foam.

arms: fixed arms.



NET



STAR

stand: 330mm nylon base.

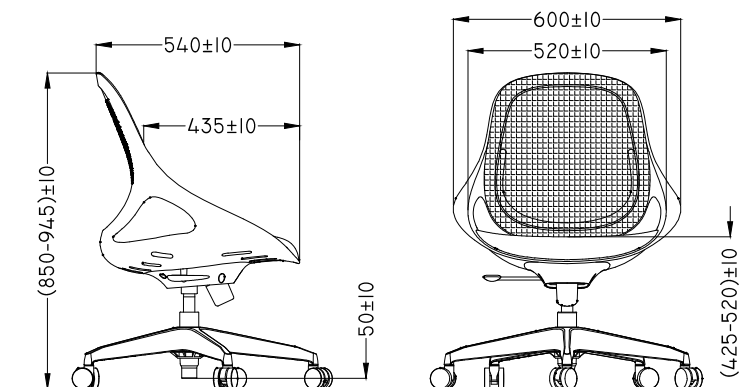
castors: 60mm PU castors.

gas lift: class 3 gas lift.

mechanism: tilting lock mechanism.

seat & back frame: plastic.

seat & back foam: moulded foam seat.



STAR



RENEW

JUNO

stand: 340mm plastic base.

castors: 60mm PU castors.

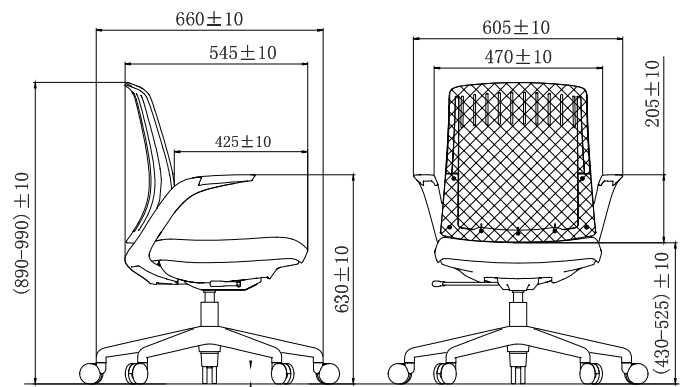
gas lift: class 3 gas lift.

mechanism: 2 lock weight sensitive synchronised tilting mechanism with auto tension adjustment.

seat & back frame: black Plastic + GF frame.

seat & back foam: moulded PU foam.

arms: seat and back linking fixed armrest.



JUNO





RENEW



RENEW

FLAMINGO-FC

stand: 2.0mm iron tube in powder coating leg frame.

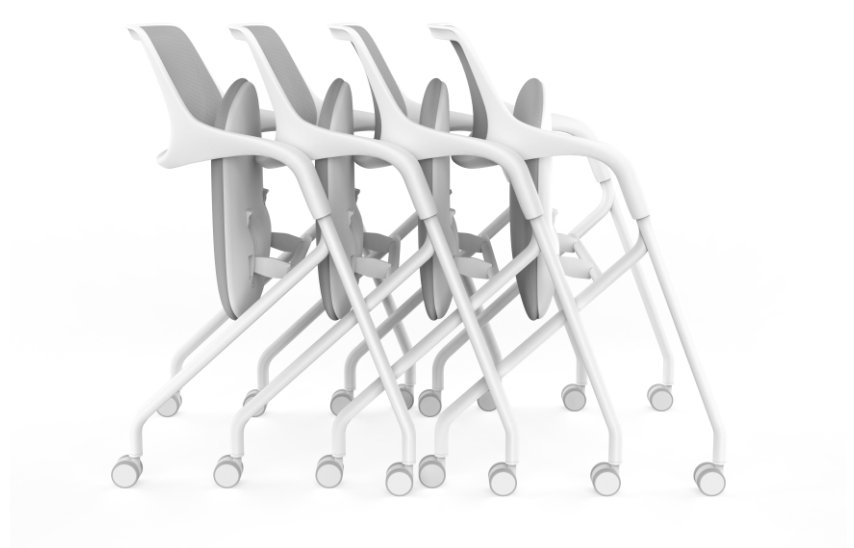
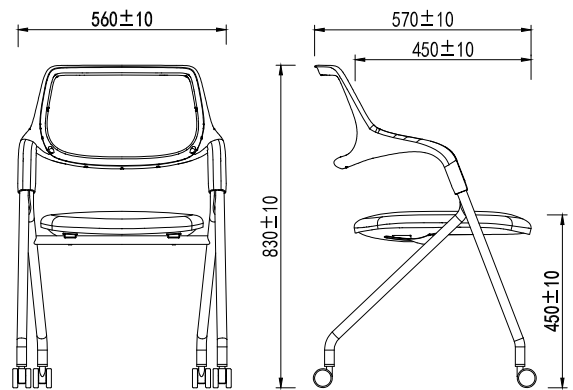
castor: 50mm PU castor.

seat & back frame: PP + 30% GF & PP + 30% GF bottom shell.

seat & back foam: high density foam.

seat mechanism: seat cushion can be flipped and pushed back and forth.

arms: fixed arms



FLAMINGO-FC



FLAMINGO-R

stand: PA + GF base.

castor: 50mm PU castor.

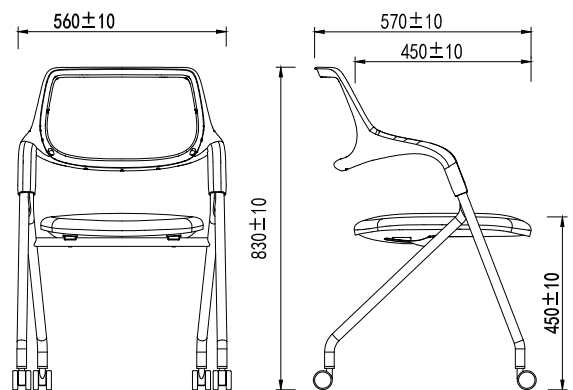
gas lift: class 3 gas lift.

mechanism: height adjustable mechanism.

seat & back frame: PP + 30% GF & PP + 30% GF bottom shell.

seat & back foam: high density foam.

arms: fixed arms.



FLAMINGO-R



FLAMINGO-R

VESTA

stand: 320mm nylon base.

castor: 50mm nylon castor.

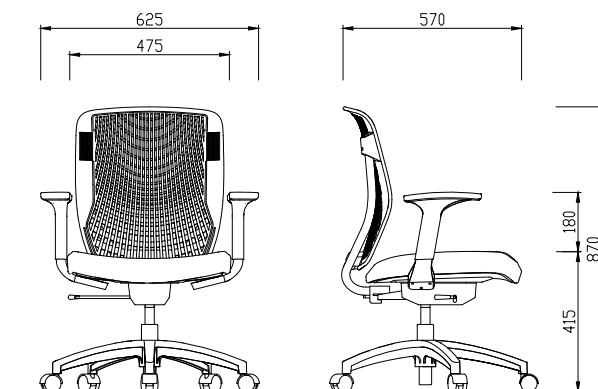
gas lift: class 4 gas lift.

mechanism: self weight tilt mechanism,
2 locking position.

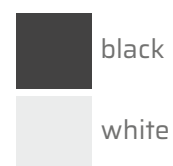
seat & back frame: plastic backrest with 1.5 metal tube.

seat & back foam: moulded foam.

arms: 2D armrest, PP surface, height adjustable.



VESTA



CRIUS

stand: 340mm aluminium alloy.

castor: 60mm PU castor.

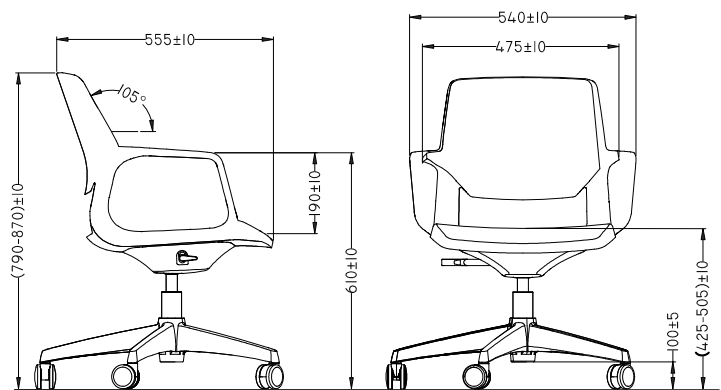
gas lift: class 4 gas lift.

mechanism: 1 position locking mechanism.

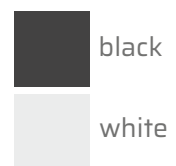
seat & back frame: PP + 20% GF.

seat & back foam: moulded foam.

arms: fixed armrest.



CRIUS



RENEW



EPONA

stand: MS triangle stand.

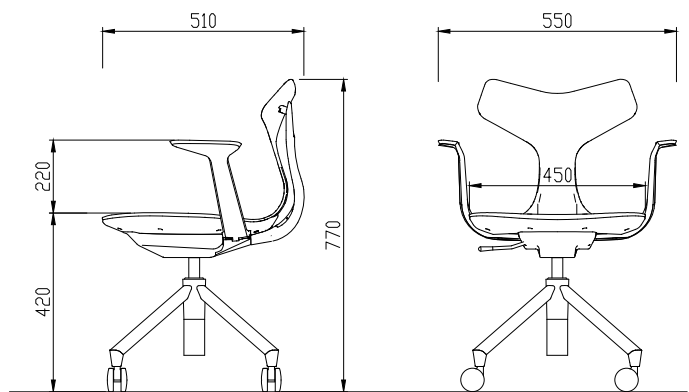
castor: 50mm nylon castor.

gas lift: class 4 gas lift.

mechanism: height adjustable, inside with 3cm thickness iron metal support as below.

seat & back frame: PP material with PA outer shell.

arms: PP armrest.



EPONA



RENEW



ZEUS-H



ZEUS-L



ECHO-H



ARES-H



ARES-L



KRATOS-H



KRATOS-L



HECTOR



EOS-H



EOS-L



CLIO



VULCAN-H



VULCAN-L



APOLLO-H



APOLLO-L



IRIS-H



IRIS-L



DYNAMIC-H



DYNAMIC-L



HESTIA-H



HESTIA-L



ATLAS



ATHENA



AION



NET



STAR



JUNO



FLAMINGO-FC



FLAMINGO-R



VESTA



CIRUS



EPONA



RENEW FURNITURE LLP

408, Krushal Commercial Complex,
Ghatkopar-Mahul Road, Chembur West, Mumbai 400089.

80970 89333 | mail@renewfurniture.co.in